

贴合图

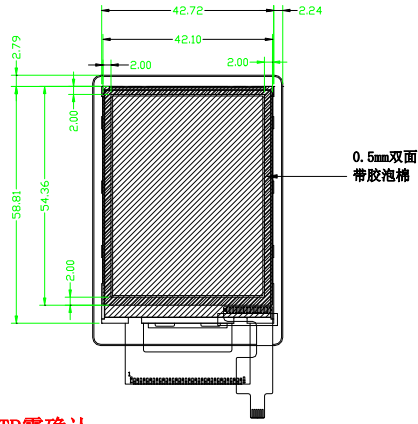
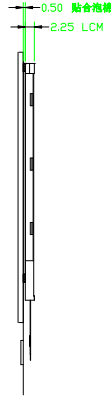
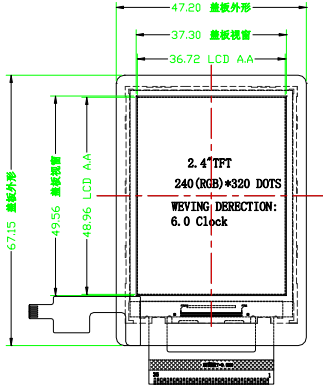
VER	REVISED DESCRIPTION	DATE	NAME
2.0			
1.0	1ST	2020.5.18	Luzhouming

NO	Pin Name
1	NC
2	NC
3	NC
4	NC
5	GND
6	/RET
7	NC
8	NC
9	NC
10	NC
11	DB15
12	DB14
13	DB13
14	DB12
15	DB11
16	DB10
17	DB9
18	DB8
19	NC
20	NC
21	NC
22	NC
23	NC
24	NC
25	NC
26	NC
27	NC
28	NC
29	/RD
30	/WR
31	RS
32	CS
33	GND
34	VCI
35	LED-K1
36	LED-A

正视图

侧视图

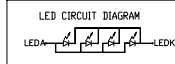
背视图



- 技术参数:
G+Film
 2、驱动: **FT6236u**
 3、透过率: **≥85%**
 4、表面硬度: **≥6H**
 5、工作环境: **-20℃~+70℃ ≤90%RH**
 6、储存环境: **-30℃~+80℃ ≤90%RH**
 7、通讯方式: **I2C 连接方式: COF**
 9、未注尺寸公差: **±0.15**

- NOTES:
 1. DISPLAY TYPE: TFT(262K COLOR)
 2. VIEWING DIRECTION: 45/45/45/20 DEG
 3. POLARIZER MODE: TRANSMISSIVE/NORMALLY WHITE
 4. DRIVER IC: ST7789V2
 5. BACK LIGHT: 4CHIP-WHITE LED; 80MA, 3.0V
 8. UNMARKED TOLERANCE: ±0.2

- CTP需确认:
 1、盖板厚度
 2、定义
 3、通讯电压



东莞市方胜电子有限公司
 Dongguan FangSheng Electronics Co., Ltd.

UNIT: mm	Drawn By	Checked By	Approved By
DESCRIPTION: TFT COG MODULE			
PART NO.: JPY24119-36P			
DRAWING NO.			

修改内容	制图	日期

正面

备注:
 1. 无毛屑, 无溢胶
 2. 未注公差±0.10
 3. 轻离型膜为先撕的离型膜

Unit: mm	PRJ (3)	Material NO.	Customer Number
Size: A4		Drawing Quality	Production Number
Scale: 1:1		■ 试模版 □ 量产版	LG-240715-泡棉-V01
Approved By			
Check By			
Design By			

东莞方胜电子有限公司